



# METHVEN

---

**Aio**  
Tapware Collection

---

SINCE 1886



At Methven we're all about making water amazing. It's what we deliver every day, and have done since 1886 when George Methven first started as a producer of brass and iron hardware in Dunedin, New Zealand.

Today, Methven is world renowned for beautifully designed, award-winning showers, taps and valves. It all stems from our knowledge of water. Our unique history as an island nation has taught us to take care of nature's most precious resource. Over the years we have learned how to harness its power to cleanse, calm, refresh and invigorate. And it's this expertise - combined with our passion for design and innovation - that fuels our ongoing mission to create amazing water experiences.



## Beautiful sophisticated design crafted from lead free Eco Brass®

The Methven Aio range is a triumph of imagination, featuring intriguing sculptural contours coupled with modern minimalist forms that bravely defy convention. Aio tapware is characterised by sophisticated simplicity, with an integrated lever and body design.

Methven sets new standards in tapware by utilising Eco Brass®. This revolutionary high quality, high strength material is lead and heavy metal free, therefore helps preserve water quality for both consumption and bathing.





## Aio Basin Mixer

Chrome – AOB CPAU



## Aio Mini Basin Mixer

Chrome – AOB MCPAU

### LEAD FREE ECO BRASS®

Using Eco Brass® to protect water quality and for enhanced corrosion resistance.

### CERAMIC CARTRIDGE

Fitted with a quality ceramic cartridge for all-round durability and longevity.

### INTEGRATED BASE RING

The integrated design eliminates potential dirt build up and makes cleaning easy.

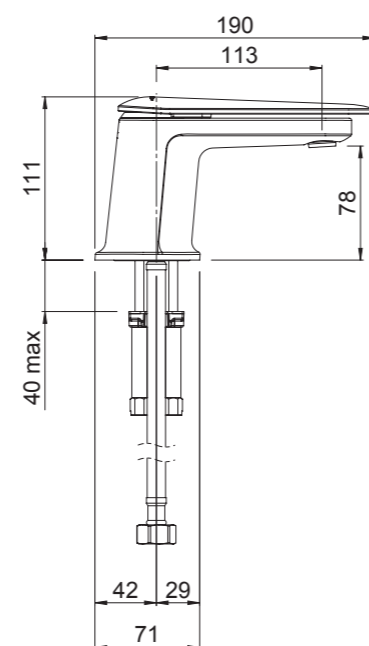
### DIRECTIONAL AERATOR

The aerator includes built in swivel for optimised stream direction and minimising splash back.

### TWIN STUD CLAMP KIT

Twin stud is positioned centrally for maximum clamping force. Improving the seal, and ensuring a robust installation.

WELS 4 Star, 7.5 L/min.



### LEAD FREE ECO BRASS®

Using Eco Brass® to protect water quality and for enhanced corrosion resistance.

### CERAMIC CARTRIDGE

Fitted with a quality ceramic cartridge for all-round durability and longevity.

### INTEGRATED BASE RING

The integrated design eliminates potential dirt build up and makes cleaning easy.

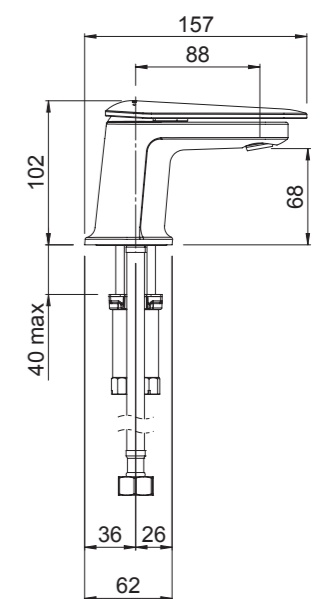
### DIRECTIONAL AERATOR

The aerator includes built in swivel for optimised stream direction and minimising splash back.

### TWIN STUD CLAMP KIT

Twin stud is positioned centrally for maximum clamping force. Improving the seal, and ensuring a robust installation.

WELS 4 Star, 7.5 L/min.





## Aio Shower Mixer with Diverter

Chrome – AOHPSDCPAU

### LEAD FREE ECO BRASS®

Using Eco Brass® to protect water quality and for enhanced corrosion resistance.

### EASY TO USE

The diverter is positioned at the top of the mixer for all-round convenience.

### ROTARY CERAMIC DIVERTER CARTRIDGE

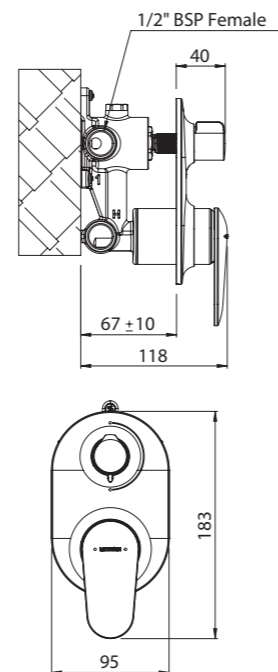
Greater ease of activation under high pressure. Made from durable brass.

### CERAMIC CARTRIDGE

Fitted with a quality ceramic cartridge for all-round durability and longevity.

### 20mm INSTALLATION TOLERANCE

Suitable for most depths of wall finishes, and enables straightforward installation.



## Aio Shower Mixer

Chrome – AOHPSCPAU

### LEAD FREE ECO BRASS®

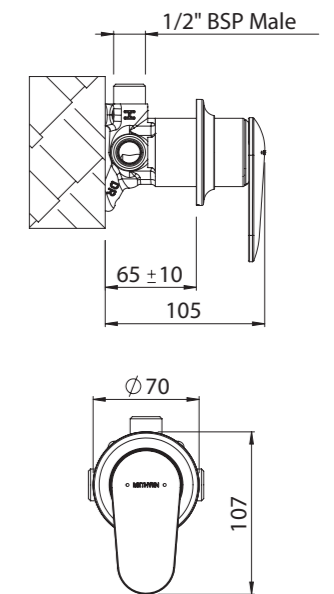
Using Eco Brass® to protect water quality and for enhanced corrosion resistance.

### CERAMIC CARTRIDGE

Fitted with a quality ceramic cartridge for all-round durability and longevity.

### 20mm INSTALLATION TOLERANCE

Suitable for most depths of wall finishes, and enables straightforward installation.





## Aio Wall Mounted Basin Mixer with Spout

Chrome – AOWBCPAU

### LEAD FREE ECO BRASS®

Using Eco Brass® to protect water quality and for enhanced corrosion resistance.

### CERAMIC CARTRIDGE

Fitted with a quality ceramic cartridge for all-round durability and longevity.

### 20mm INSTALLATION TOLERANCE

Suitable for most depths of wall finishes, and enables straightforward installation.

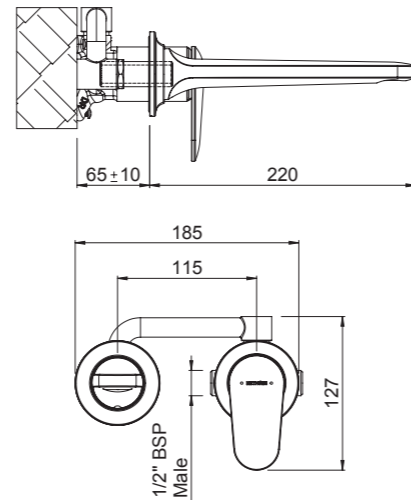
### QUICK-FIT CONNECTOR

For easy installation, ensuring perfect alignment and a flawless water tight seal.

### 200mm SPOUT

Designed to suit a wide range of basin specifications.

WELS 4 Star, 7.5 L/min.



## Aio Wall Mounted Bath Mixer with Spout

Chrome – AOWBTCPAU

### LEAD FREE ECO BRASS®

Using Eco Brass® to protect water quality and for enhanced corrosion resistance.

### CERAMIC CARTRIDGE

Fitted with a quality ceramic cartridge for all-round durability and longevity.

### 20mm INSTALLATION TOLERANCE

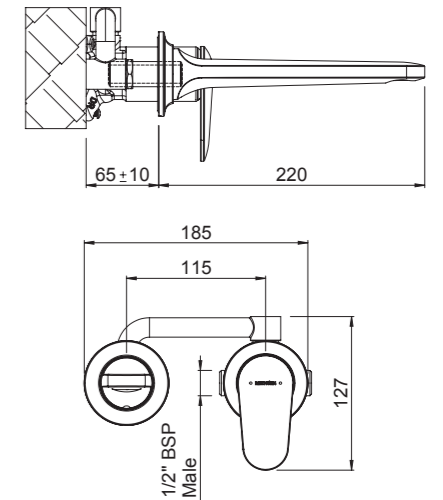
Suitable for most depths of wall finishes, and enables straightforward installation.

### QUICK-FIT CONNECTOR

For easy installation, ensuring perfect alignment and a flawless water tight seal.

### 200mm SPOUT

Designed to suit a wide range of bath specifications.





## Aio Wall Mounted Bath Spout

Chrome – AOSPWBTCPAU

### LEAD FREE ECO BRASS®

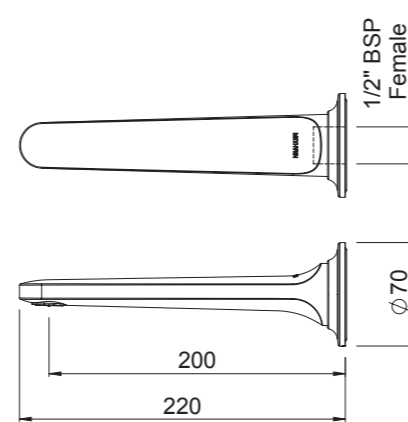
Using Eco Brass® to protect water quality and for enhanced corrosion resistance.

### 200mm SPOUT

Designed to suit a wide range of bath specifications.

### QUICK-FIT CONNECTOR

For easy installation, ensuring perfect alignment and a flawless water tight seal.



## QUICK REFERENCE GUIDE

	SKU	WELS RATING	WELS FLOW RATE	LEAD FREE ECO BRASS®
AIO BASIN MIXER	AOB CPAU	4	7.5 L/M	●
AIO MINI BASIN MIXER	AOBM CPAU	4	7.5 L/M	●
AIO SHOWER MIXER WITH DIVERTER	AOHPSDCPAU	N/A	N/A	●
AIO SHOWER MIXER	AOHPS CPAU	N/A	N/A	●
AIO WALL MOUNTED BASIN MIXER WITH SPOUT	AOWB CPAU	4	7.5 L/M	●
AIO WALL MOUNTED BATH MIXER WITH SPOUT	AOWBTCPAU	N/A	N/A	●
AIO WALL MOUNTED BATH SPOUT	AOSPWBTCPAU	N/A	N/A	●



METHVEN

[methven.com](http://methven.com)



# METHVEN

methven.com

## **AUSTRALIA**

Methven Australia Pty Limited  
16 Gipps Street,  
Collingwood  
Victoria 3066  
Australia  
Phone: 1300 638 483

## **NEW ZEALAND**

Methven Limited  
447 Rosebank Road  
Avondale  
Auckland 1026  
New Zealand  
Phone: 0800 804 222

## **UNITED KINGDOM**

Methven UK Limited  
Brooklands Mill  
English Street  
Leigh  
Lancashire, WN7 3EH  
United Kingdom  
Phone: 0800 195 1602

## **CHINA**

Methven (Xiamen) Trading Co. Ltd.  
Suite 7B, Building 2, Tong An  
Commerce Building  
No.625 Sishui Dao  
Wuyuan Bay, Xiamen  
China 361006  
Phone: 400 918 0585

Please note: While every effort is made to ensure that the details in this brochure were correct at the time of printing, Methven reserves the right to alter specifications or product from that shown.